



InterApp **IA**[®]



Gearbox
Body aluminium

GB232



FLUIDS UNDER CONTROL

InterApp AG
Grundstrasse 24
CH-6343 Rotkreuz
Switzerland

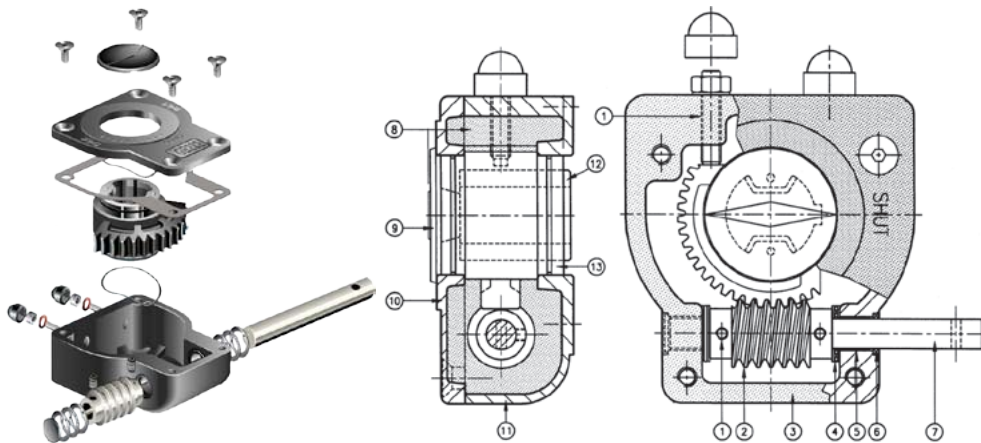
Tel. +41 (0)41 798 22 33
Fax +41 (0)41 798 22 34
<http://www.interapp.net>
info@ch.interapp.net

GB232 Gearbox

● Characteristics:

GB232	Quarter turn gearbox handoperated with cast aluminium housing Polyurethane coated
Application fields	For quarter turn valves
Valve connection	Mounting face for valves according to EN ISO 5211
Torque	125 - 1000 Nm
Temperature range	-20°C ÷ +120°C
Stroke	0-90° (±5° adjustable)
Lubrication	Factory lubricated for the life of actuator under normal working conditions
Protection class	IP65

● Construction:



1	Set screw	Steel 8.8
2	Worm	Steel C45
3	Gasket	NBR
4	Needle bearing	
5	Plain bearing	Permaglide
6	Seal ring	Nitrile
7	Shaft	Stainless steel
8	Grease	Multipurpose EP2
9	Position indicator	Polypropylene
10	Coverplate	Aluminium AL231
11	Body	Aluminium AL231
12	Insert	Sintered steel
13	Quadrant	GGG40

● Key code:

GB232-05 . F05-F0714 . 160
1 2 3 4

1 Actuator size	GB232-05	125 Nm
	GB232-07	250 Nm
	GB232-10	500 Nm
	GB232-12	1000 Nm
2 Mounting face for valve	F05 - F14	according to EN ISO5211
3 Shaft connection	[mm]	Dimension of shaft connection
4 Handwheel diameter	[mm]	

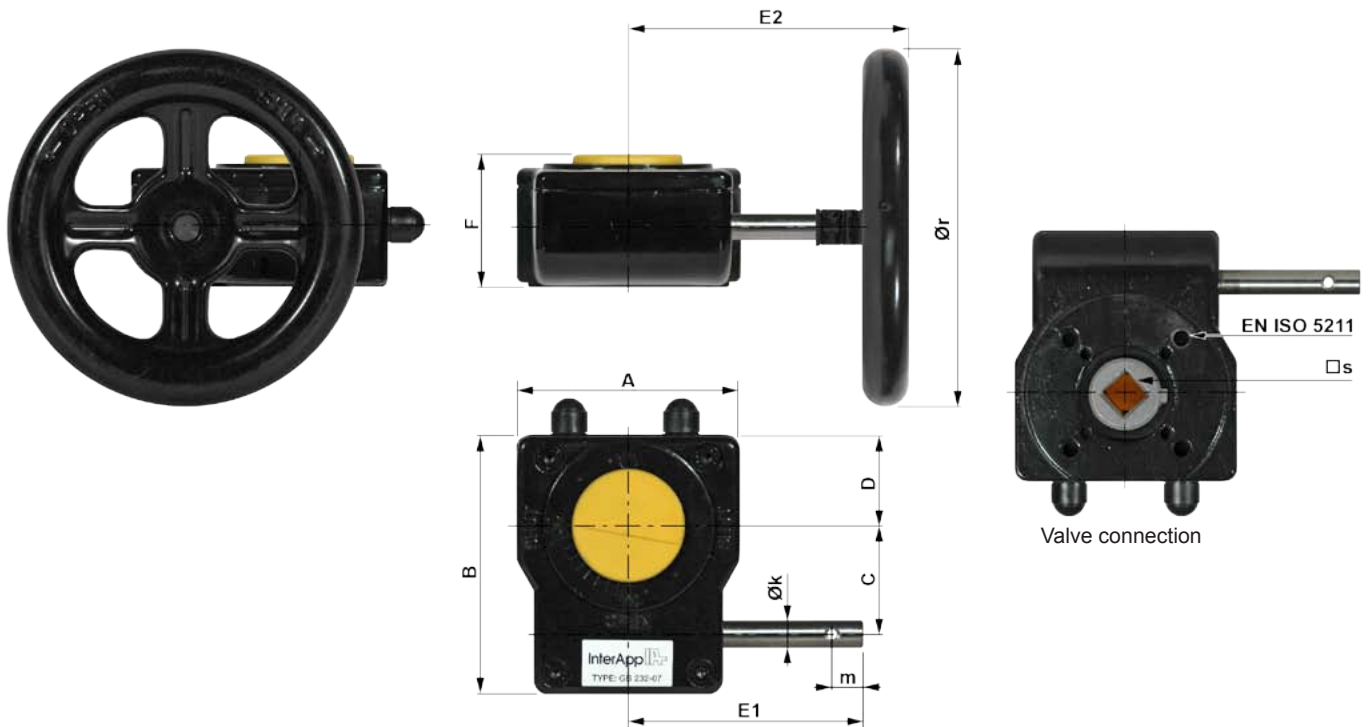
FLUIDS UNDER CONTROL

InterApp AG
 Grundstrasse 24
 CH-6343 Rotkreuz
 Switzerland

Tel. +41 (0)41 798 22 33
 Fax +41 (0)41 798 22 34
<http://www.interapp.net>
info@ch.interapp.net

GB232 Gearbox

• Dimensions:



	EN ISO5211	□s	Ør	A	B	C	D	E1	E2	F	Øk	m	n*	[kg]
GB232-05	F05-F07	11	100	80	110	42,5	44,5	100	109	52	12	14	10	0,8
		14	160						124					
GB232-07	F05-F07	14	160	100	133	50	58	106	130	58	12	14	9,25	1,8
		17												
GB232-10	F07-F10	17	250	146	178	60	83	171	205	75	15	14	11,25	3,3
	F10-F12	22												
GB232-12	F10-F12	22	315	175	218	80	91	200	229	88	20	24	10	7,0
		27												

* n = Handwheel turns ON/OFF

• Maintenance:

The actuators are factory lubricated for the life of the actuator under normal working conditions. The standard lubricant is suitable for use from - 20°C to + 120°C.

• Storage:

The actuator should always be stored free from dust and humidity.

FLUIDS UNDER CONTROL

InterApp AG
Grundstrasse 24
CH-6343 Rotkreuz
Switzerland

Tel. +41 (0)41 798 22 33
Fax +41 (0)41 798 22 34
<http://www.interapp.net>
info@ch.interapp.net

InterApp AG

Grundstrasse 24
CH-6343 Rotkreuz
Switzerland

Tel. +41 (0)41 798 22 33

Fax +41 (0)41 798 22 34

info@ch.interapp.net

InterApp Ges.m.b.H.

Kolpingstraße 19
A-1230 Wien
Austria

Tel. +43 (0)1 616 23 71 0

Fax +43 (0)1 616 23 71 99

info@at.interapp.net

InterApp Italiana S.r.l.

Via A. Gramsci 29
I-20016 Pero (Milano)
Italy

Tel. +39 02 33 93 71

Fax +39 02 33 93 7200

info@it.interapp.net

InterApp Válvulas S.A.

Igarsa 40
E-28860 Paracuellos de Jarama
Spain

Tel. +34 (0)91 6584360

Fax +34 (0)91 6581430

info@es.interapp.net

InterApp Kft

Bécsi út 100
H-1034 Budapest
Hungary

Tel. +36 (1) 250 9253

Fax +36 (1) 250 9252

info@hu.interapp.net

The technical data are noncommittal and do not assure you of any properties. Please refer to our general sales conditions.

FLUIDS UNDER CONTROL