



# InterApp **IA**<sup>®</sup>



**Gearbox**  
Body cast iron

## GB



**FLUIDS UNDER CONTROL**

**InterApp AG**  
Grundstrasse 24  
CH-6343 Rotkreuz  
Switzerland

Tel. +41 (0)41 798 22 33  
Fax +41 (0)41 798 22 34  
<http://www.interapp.net>  
[info@ch.interapp.net](mailto:info@ch.interapp.net)

## GB Gearbox

### • Characteristics:

<b>GB</b>	Quarter turn gearbox handoperated with cast aluminium housing Polyurethane coated
<b>Application fields</b>	For quarter turn valves
<b>Valve connection</b>	Mounting face for valves according to EN ISO 5211
<b>Torque</b>	135 - 32000 Nm
<b>Temperature range</b>	-20°C ÷ +120°C
<b>Stroke</b>	0-90° (±5° adjustable)
<b>Lubrication</b>	Factory lubricated for the life of actuator under normal working conditions
<b>Protection class</b>	GB...N -> IP65 GB...G -> IP68

### • Construction:

**GB...**

**GB... SP4/9**

1	Set screw	Steel 8.8
2	Worm	Steel C45
3	Gasket	NBR
4	Needle bearing	
5	Bushing	Sintered steel
6	Seal ring	Nitrile
7	Shaft	Carbon steel C45
8	Grease	Multipurpose EP2
9	Position indicator	Polypropylene
10	Coverplate	GG25
11	Quadrant	GGG40
12	Body	GG25
13	Gear	Carbon steel C45

### • Key code:

**GB1950N . F14 45 . 500**

①      ②      ③      ④

<b>① Actuator size</b>	<b>GB...N</b>	Protection class IP65
	<b>GB...G</b>	Protection class IP68
<b>② Mounting face for valve</b>	<b>F05 - F40</b>	according to EN ISO5211
<b>③ Shaft connection</b>	<b>[mm]</b>	Dimension of shaft connection
<b>④ Handwheel diameter</b>	<b>[mm]</b>	

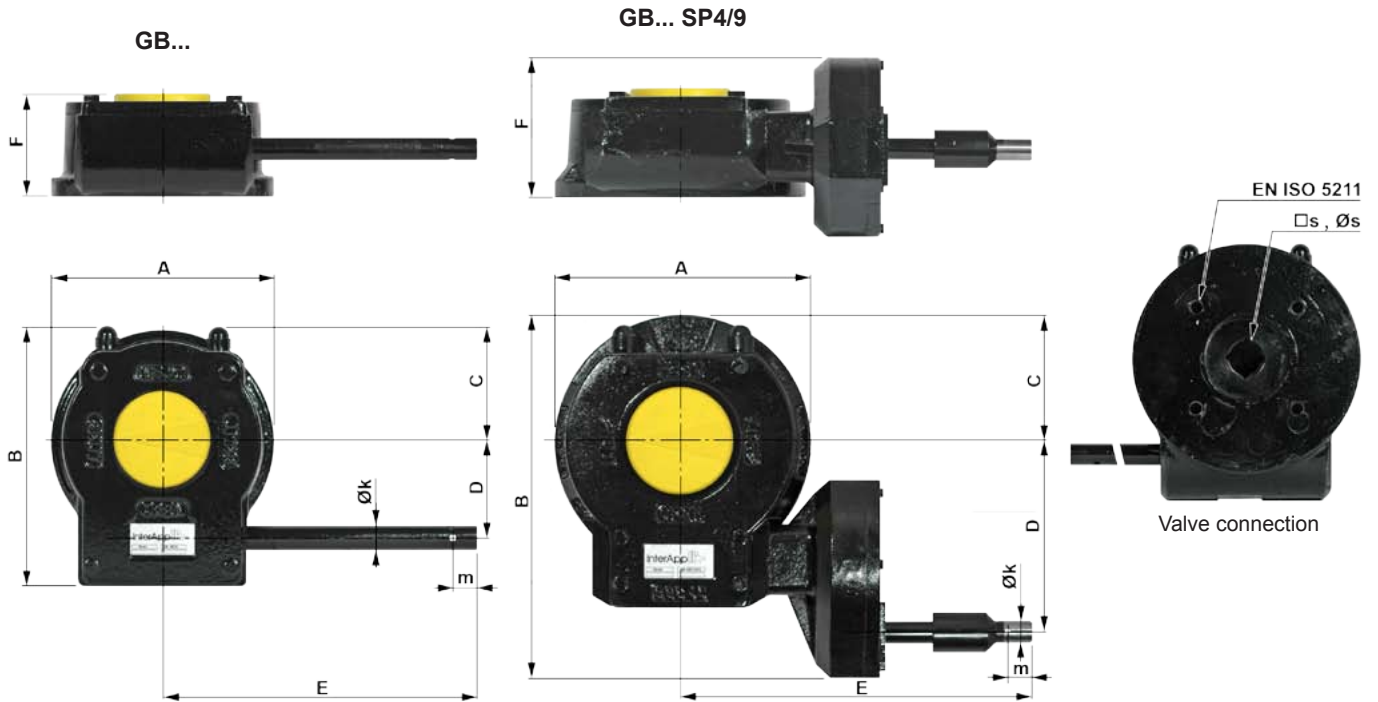
## FLUIDS UNDER CONTROL

**InterApp AG**  
Grundstrasse 24  
CH-6343 Rotkreuz  
Switzerland

Tel. +41 (0)41 798 22 33  
Fax +41 (0)41 798 22 34  
<http://www.interapp.net>  
[info@ch.interapp.net](mailto:info@ch.interapp.net)

## GB Gearbox

### • Dimensions:



	EN ISO5211	□s max.	Øs max.	Md[Nm]	A	B	C	D	E	F	Øk	m	n*	[kg]
GB150N	F05-F07	14	15	135	80	124	58	42,5	100	52	12	14	10	2,2
GB215N	F07-F10	24	30	500	125	143	42,5	52	159	64	15	14	9,25	3,5
GB550N	F07, F10, F12	38	45	934	138	188	83	71	201	89	20	24	8,5	8,5
GB880N	F10, F12, F14, F16	46	55	1620	200	227	101	86	189	92	20	24	9,5	14
GB1250N	F10, F12, F14, F16	50	65	2640	220	258	110	104,5	230	101	20	24	13,75	22
GB1950N	F12, F14, F16, F25	60	80	3050	285	323	142,5	130	275	123	25	28	13	32
GB1950N/HR	F12, F14, F16, F25	60	80	4160	285	323	142,5	130	275	123	25	28	21	32
GB1950N/SP4	F12, F14, F16, F25	60	80	6800	285	403	142,5	211	335	155	25	28	52	45
GB6800N	F16, F25, F30	75	100	4400	370	402	170	182	300	160	25	28	19,5	56
GB6800N/SP4	F16, F25, F30	75	100	12500	370	482	170	263	388	159	25	28	79,25	70
GB6800N/SP9	F16, F25, F30	75	100	17000	370	584	170	357	466	148	30	20	176	100
GBA250G/SP9	F25, F30, F35, F40	100	150	32000	510	725	235	256	499	175	30	20	176	225

\* n = Handwheel turns ON/OFF

### • Maintenance:

The actuators are factory lubricated for the life of the actuator under normal working conditions. The standard lubricant is suitable for use from - 20°C to + 120°C.

### • Storage:

The actuator should always be stored free from dust and humidity.

## FLUIDS UNDER CONTROL

InterApp AG  
Grundstrasse 24  
CH-6343 Rotkreuz  
Switzerland

Tel. +41 (0)41 798 22 33  
Fax +41 (0)41 798 22 34  
<http://www.interapp.net>  
[info@ch.interapp.net](mailto:info@ch.interapp.net)

## GB Gearbox

### • Selection of handwheel:

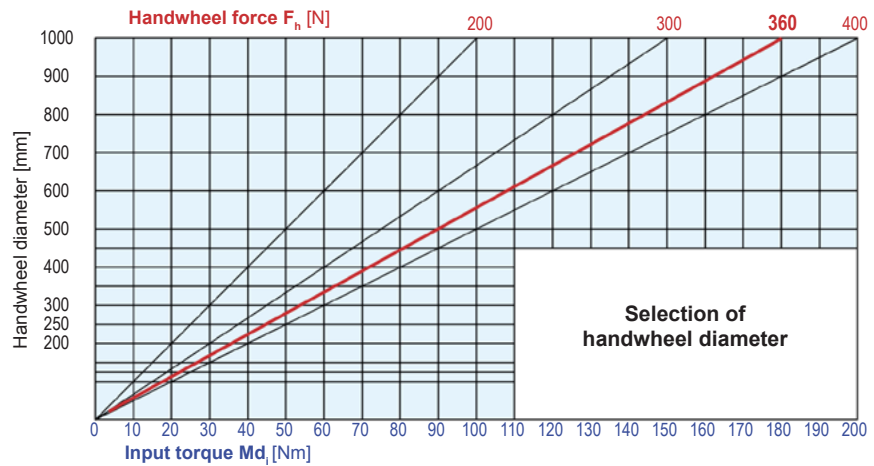
- Calculate the **input torque  $M_d$  [Nm]**. Find the value **M.A.** according the selected gearbox in table ❶

$$M_d \text{ [Nm]} = \frac{\text{Output torque [Nm]}}{\text{M.A.}}$$

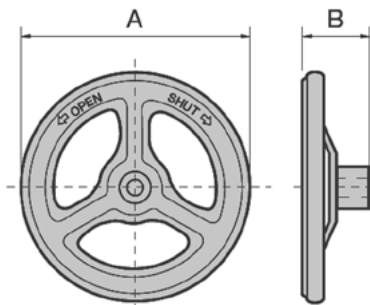
- Define max. **handwheel force  $F_h$  [N]**. Recommended **standard value = 360 N**
- Find the handwheel diameter using diagram ❷
- Select corresponding handwheel **Type BR** ❸ or **SG** ❹

	M.A. ± 10%
GB150	9,6
GB215	11,6
GB550	12,0
GB880	13,2
GB1250	19,0
GB1950	19,0
GB1950/SP4	54,4
GB6800	27,5
GB6800/SP4	93,6
GB6800/SP9	185,0
GB250G/SP9	225

❶

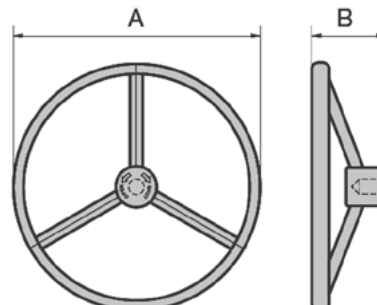


❷



❸

	ØA	B
<b>BR 100</b>	100	38
<b>BR 125</b>	125	42
<b>BR 160</b>	160	48
<b>BR 200</b>	200	53
<b>BR 250</b>	250	66
<b>BR 315</b>	315	68
<b>BR 400</b>	400	92



❹

	ØA	B
<b>SG 200</b>	200	80
<b>SG 250</b>	250	110
<b>SG 300</b>	300	115
<b>SG 400</b>	400	130
<b>SG 500</b>	500	150
<b>SG 600</b>	600	150
<b>SG 700</b>	700	150
<b>SG 800</b>	800	150
<b>SG 900</b>	900	160
<b>SG 1000</b>	1000	160

## FLUIDS UNDER CONTROL

InterApp AG  
 Grundstrasse 24  
 CH-6343 Rotkreuz  
 Switzerland

Tel. +41 (0)41 798 22 33  
 Fax +41 (0)41 798 22 34  
<http://www.interapp.net>  
[info@ch.interapp.net](mailto:info@ch.interapp.net)