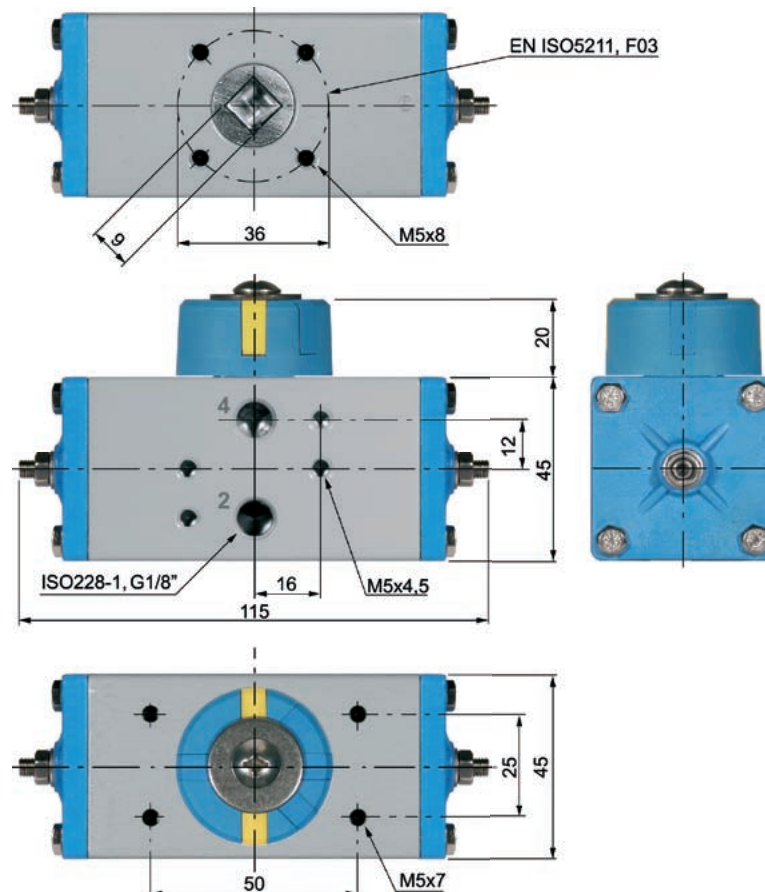


IAB0DA Pneumatic actuator

● Characteristics:

IAB0DA.F0309	Pneumatic actuator, double acting, valve connection F03(EN ISO5211), shaft square 9mm					
Function	Air supplied to port 4 moves pistons toward center position. (-> 90° clockwise rotation)			Air supplied to port 2 moves pistons toward endposition (-> 90° counterclockwise rotation)		
	<p>2 ↓ 4 ↑ CLOSED</p>			<p>2 ↑ 4 ↓ OPEN</p>		
Working temperature	-20°C ÷ 80°C					
Lubrication	Factory lubricated for the life of actuator under normal working conditions					
Supply fluids	Filtered air or neutral gas, lubricated or dry, or light hydraulic oil					
Supply pressure	3 bar	4 bar	5 bar	6 bar	7 bar	8 bar
Torque	3,6 Nm	4,8 Nm	6,1 Nm	7,2 Nm	8,5 Nm	9,7 Nm

● Dimensions:



Volume in Liter: OPEN 0,04 and CLOSE 0,04

To calculate the air consumption, multiply the volume in liter by the supply pressure.

FLUIDS UNDER CONTROL

InterApp AG
 Grundstrasse 24
 CH-6343 Rotkreuz
 Switzerland

Tel. +41 (0)41 798 22 33
 Fax +41 (0)41 798 22 34
<http://www.interapp.net>
info@ch.interapp.net