



InterApp **IA**[®]



Flange ball valve
stainless steel, two-piece body

BVO22 DN15-300



TA Luft

FLUIDS UNDER CONTROL

InterApp AG
Grundstrasse 24
CH-6343 Rotkreuz
Switzerland

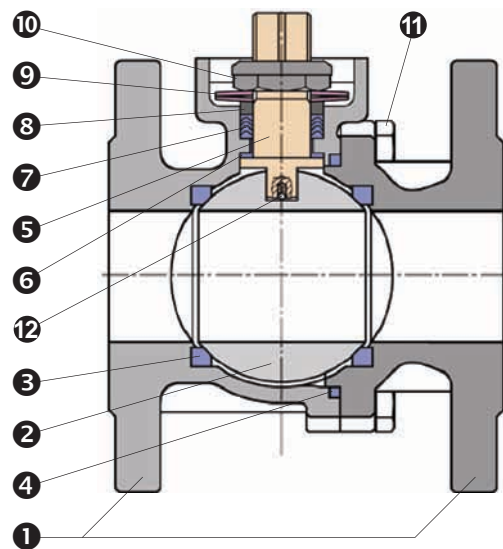
Tel. +41 (0)41 798 22 33
Fax +41 (0)41 798 22 34
<http://www.interapp.net>
info@ch.interapp.net

BVO22 Flange ball valve (stainless steel) DN 15-300

● Characteristics:

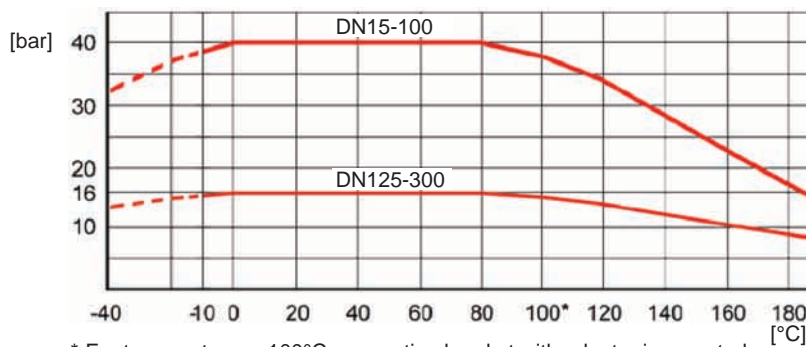
BVO22	Stainless steel ball valve PN16/40 with flanged ends and two-piece body, full bore. Mounting flange for actuators according to ISO 5211.
Connection	DN15-50 flanges PN40 DN65-200 flanges PN16 or PN40 DN250-300 flanges PN16
Face to face dimension	DN15-100 DIN 3202-F4 (short) = standard, or DIN 3202-F1 (long) DN125-300 DIN 3202-F5
Max. working pressure	16/40 bar
Temperature range	-10°C + 180°C, Versions for lower temperatures on request
Fire Safe execution	optional for DN15-100 (according to BS 6755 und ISO 10479)
Fire Safe design	optional for DN125-300
TA Luft	in compliance with TA Luft requirements
Antistatic execution	standard for DN15-200, optional for DN250-300.
CE	The ball valves BVO22 meet the safety requirements of the pressure Equipments Directive 97/23/EC (PED) appendix 1 for fluids of the groups 1 and 2.

● Construction:



1	Two-piece body	Stainless steel CF8M, DN15-300 Cast steel GS-C25, DN125-200
2	Ball DN15-50, DN125-200 Ball DN65-100, DN250-300	Stainless steel AISI 316 (1.4401) Stainless steel CF8M (1.4408)
3	Seat ring (ball)	PTFE + 20% glass fibre
4*	Seal ring	PTFE
5	Stem	Stainless steel AISI 316 (1.4401)
6	Lower bearing	PTFE + 20% glass fibre
7*	Gland packing self adjusting according to TA-Luft (DN15-200)	PTFE
8	Gland ring	Stainless steel AISI 316 (1.4401)
9	Bevel washer	Spring steel
10	Nut	A2
11	Bolt	DN15-100, A4-70 DN125-300, A2-70
12	Antistatic ball standard for DN15-200	Stainless steel AISI 316 (1.4401)
* Material = graphite for Fire Safe execution „FS“		

● Pressure / temperature diagram:



* For temperatures >100°C a mounting bracket with adapter is mounted between ball valve and actuator (dependent on actuator).

For applications with steam:

- use seat ring „S“ 80% PTFE + 15% glass fibre + 5% carbon

- $t_{max} = 160^{\circ}\text{C}$, $p_{max} = 5 \text{ bar}$

FLUIDS UNDER CONTROL

InterApp AG
Grundstrasse 24
CH-6343 Rotkreuz
Switzerland

Tel. +41 (0)41 798 22 33
Fax +41 (0)41 798 22 34
<http://www.interapp.net>
info@ch.interapp.net

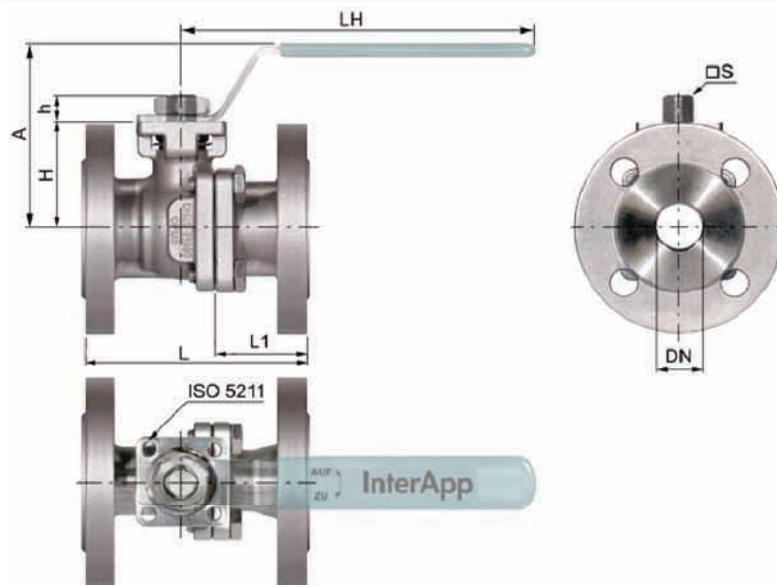
BVO22 Flange ball valve (stainless steel) DN 15-300

• Code key:

BVO 22 FK . 025 . SST - ..
① ② ③ ④ ⑤ ⑥ ⑦ ⑧

① Type	BVO	Ball valve flanged type with ISO top flange		
② Construction	22	2/2 ways, two-piece body		
③ Bore	F	Full bore		
④ Face to face dimension	K	F4 (short) standard DN15-100, F5 DN125-300		
	F	F1 (long) DN15-100		
⑤ Size	015-300	DN15-300		
⑥ Materials body / ball	S	Body stainless steel	CF8M (1.4408)	DN15-300
	C	Body cast steel	GS-C25 (ASTM A216 WCB)	DN125-200
	S	Ball stainless steel	DN15-50, DN125-200 AISI 316 (1.4401) DN65-100, DN250-300 CF8M (1.4408)	
⑦ Materials seat ring	T	Seat ring white (standard)	PTFE	
	P	Seat ring PEEK		
	S	Seat ring grey (for steam) $t_{max} = 160^{\circ}C$, $p_{max} = 5$ bar	PTFE +15% glass fibre +5% carbon	
⑧ Special executions	FS	Fire safe execution (according BS 6755 and ISO 10497)	DN15-100	
	FD	Fire safe design	DN125-300	
	AS	Anti static execution	DN250-300	
	HJ	Heating jacket		

• Dimensions:



BVO22FK face to face dim. DIN 3202 F4 (DN15-100), F5 (DN125-300)

	DN	L	L1	H	h	S	ISO 5211	kv[m³/h]	[kg]
BVO22FK.015.SST	15	115	48,5	50,0	11	11	F05	35	2,7
BVO22FK.020.SST	20	120	51,5	53,5	11	11	F05	46	3,4
BVO22FK.025.SST	25	125	52,0	58,5	14	14	F05	72	4,4
BVO22FK.032.SST	32	130	57,0	71,0	14	14	F05	105	5,6
BVO22FK.040.SST	40	140	59,0	76,0	17	17	F07	170	8,1
BVO22FK.050.SST	50	150	62,0	83,5	17	17	F07	275	10,7
BVO22FK.065.SST	65	170	72,0	95,0	17	17	F07	507	14,5
BVO22FK.080.SST	80	180	71,2	113	22	22	F10	905	20,7
BVO22FK.100.SST	100	190	75,5	131	22	22	F10	1414	29,7
BVO22FK.125.SST	125	325	123	152	22	22	F10	2362	59,5
BVO22FK.150.SST	150	350	126	217	37	36	F14	3674	80,2
BVO22FK.200.SST	200	400	140	252	37	36	F14	7155	144
BVO22FK.250.SST	250	450							
BVO22FK.300.SST	300	500							

BVO22FF face to face DIN 3202 F1

	DN	L	L1	[kg]
BVO22FF.015.SST	15	130	63,5	2,7
BVO22FF.020.SST	20	150	81,5	3,5
BVO22FF.025.SST	25	160	87,0	4,5
BVO22FF.032.SST	32	180	107,0	6,0
BVO22FF.040.SST	40	200	119,0	8,6
BVO22FF.050.SST	50	230	142,0	11,5
BVO22FF.065.SST	65	290	192,0	16,1
BVO22FF.080.SST	80	310	201,2	22,6
BVO22FF.100.SST	100	350	235,5	33,4

Handlever

DN	A	LH	[kg]
15	92	180	0,5
20	93	180	0,6
25	101	180	0,6
32	113	180	0,9
40	123	300	1,5
50	130	300	1,8
65	142	300	2,6
80	195	400	3,4
100	213	400	5,2
125	272	700	12
150	281	700	12

Further documentation:

Pneumatic actuators, electric actuators, accessories according separate data sheets. You can find most of these documents as well as the declaration of conformity and other certificates in several languages under „DOWNLOAD“ at our homepage

<http://www.interapp.net>

FLUIDS UNDER CONTROL

InterApp AG
 Grundstrasse 24
 CH-6343 Rotkreuz
 Switzerland

Tel. +41 (0)41 798 22 33
 Fax +41 (0)41 798 22 34
<http://www.interapp.net>
info@ch.interapp.net

InterApp AG

Grundstrasse 24
CH-6343 Rotkreuz
Switzerland

Tel. +41 (0)41 798 22 33
Fax +41 (0)41 798 22 34

info@ch.interapp.net

InterApp Ges.m.b.H.

Kolpingstraße 19
A-1230 Wien
Austria

Tel. +43 (0)1 616 23 71 0
Fax +43 (0)1 616 23 71 99

info@at.interapp.net

InterApp Italiana S.r.l.

Via A. Gramsci 29
I-20016 Pero (Milano)
Italy

Tel. +39 02 33 93 71
Fax +39 02 33 93 7200

info@it.interapp.net

InterApp Válvulas S.A.

Igarsa 40
E-28860 Paracuellos de Jarama
Spain

Tel. +34 (0)91 6584360
Fax +34 (0)91 6581430

info@es.interapp.net

InterApp Kft

Bécsi út 100
H-1034 Budapest
Hungary

Tel. +36 (1) 436 9702
Fax +36 (1) 436 9700

info@hu.interapp.net

The technical data are noncommittal and do not assure you of any properties. Please refer to our general sales conditions.

FLUIDS UNDER CONTROL